

2-WAY POWER DIVIDER/COMBINER

0.7-2.7 GHz, 40 Watts, N & SMA-Jack Connectors

N-Jack Connectors



optimum broadband performance

N-Jack/T-Style



T-Style convenient cable access

SMA-Jack Connectors



precision microstrip circuit

SMA-Jack/T-Style



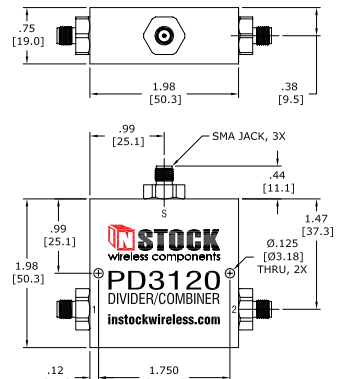
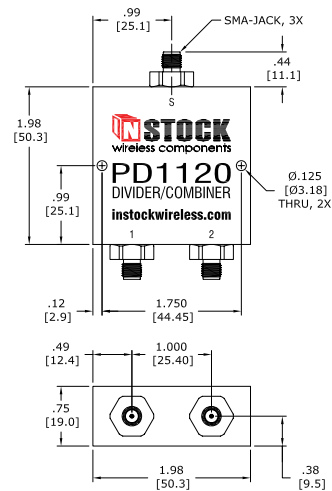
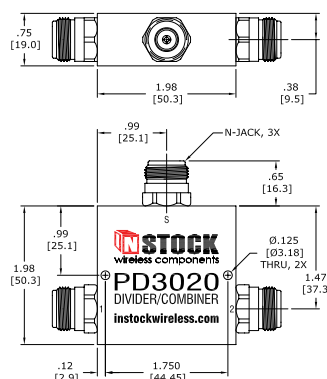
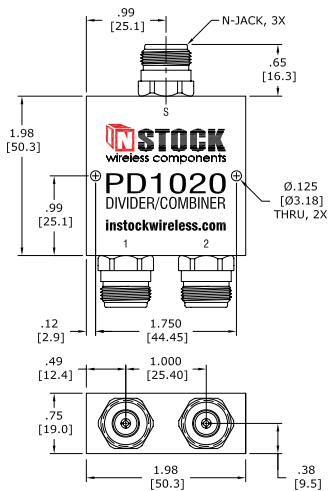
T-Style with SMA-Jack connectors

PD1020 is a broadband 2-way power divider, power combiner furnished with N-Jack connectors. All wireless-band frequencies from 0.7-2.7 GHz are covered with optimum performance. Input power levels up to 40 watts can be handled in both power divider and power combiner scenarios. See input power rating tables ...

PD3020's T-Style housing allows convenient cable access to all connector ports. Mechanical features include precision CNC machined brass N-Jack connectors with tri-alloy plating to insure tarnish resistance and low-PIM operation. Connector pins are gold plated phosphor bronze for reliability and low contact resistance ...

PD1120 is a broadband 2-way power divider, power combiner furnished with SMA-Jack connectors. The heart of the unit is a precision designed and etched microstrip circuit on a low-loss, high frequency, dielectric substrate. Electrical performance is highlighted by 0.4 dB max insertion loss, 22 dB min isolation, 1.25:1 max input ...

PD3120's T-Style housing allows convenient cable access to all connector ports. Mechanical features include precision CNC-machined, brass, SMA-Jack connectors with tri-alloy plating to insure tarnish resistance. Connector pins are gold plated beryllium copper for reliability and low contact resistance. Virgin electrical grade PTFE ...



Model No.	Connectors	Frequency Range	Insertion Loss (above 3.01 dB)	Amplitude Balance	Phase Balance	Isolation	Input VSWR	Output VSWR
PD1020	N-Jack	0.7-2.7 GHz	0.4 dB max	0.2 dB max	2° max	22 dB min	1.20:1 max	1.15:1 max
PD3020	N-Jack/T-Style	0.7-2.7 GHz	0.4 dB max	0.2 dB max	2° max	22 dB min	1.25:1 max	1.15:1 max
PD1120	SMA-Jack	0.7-2.7 GHz	0.4 dB max	0.2 dB max	2° max	22 dB min	1.25:1 max	1.15:1 max
PD3120	SMA-Jack/T-Style	0.7-2.7 GHz	0.4 dB max	0.2 dB max	2° max	22 dB min	1.20:1 max	1.15:1 max

50 Intervale Road
 Boonton, NJ 07005 USA
 ph: 973.335.6550
 fx : 973.335.6770
 email: sales@instockwireless.com
 web: www.instockwireless.com

INSTOCK
 wireless components
Better Products. Better Prices.

- design
- manufacture
- direct sales