

# 6-WAY POWER DIVIDER/COMBINER

## 0.7-2.7 GHz, 40 Watts, N & SMA-Jack Connectors

### N-Jack Connectors



designed for optimum broadband performance

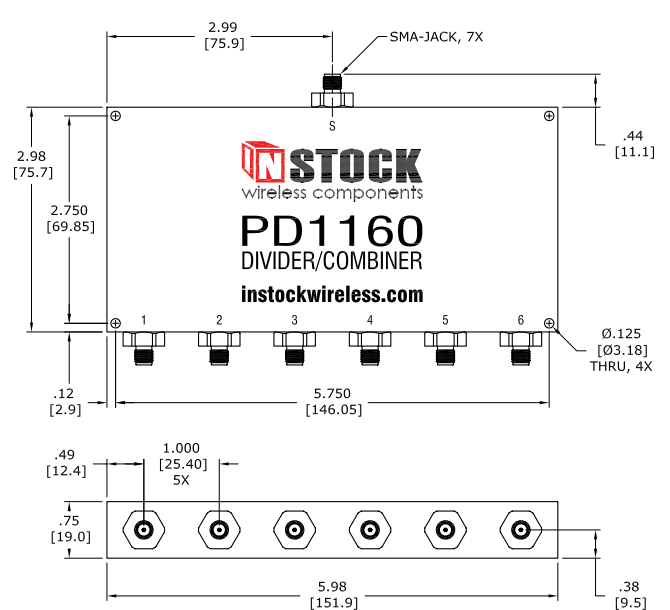
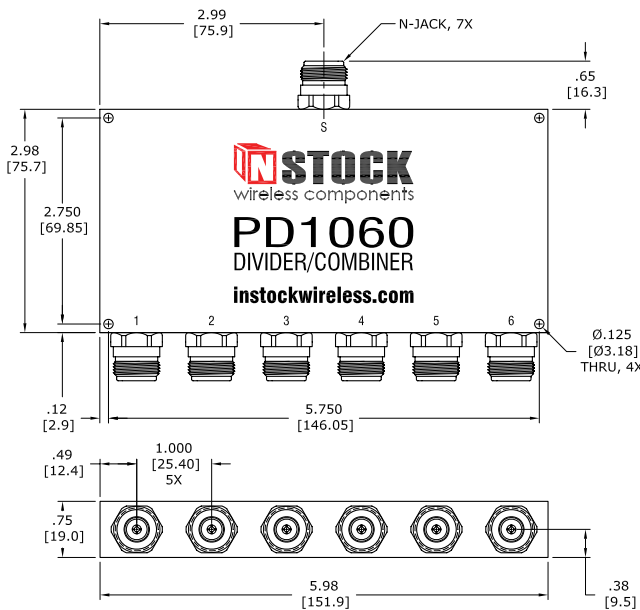
**PD1060** is a broadband 6-way power divider, power combiner furnished with N-Jack connectors. All wireless-band frequencies from 0.7 - 2.7 GHz are covered with optimum performance. Input power levels up to 40 watts can be handled in both power divider and power combiner scenarios. See **Power Input Rating Tables** for specifics.

### SMA-Jack Connectors



true 6-way power split and balance

**PD1160** is a true 6-way power divider, power combiner with equal power split and balance. Electrical performance is highlighted by 1.1 dB max insertion loss, 18 dB min isolation, 1.40:1 max input VSWR and 1.20:1 max output VSWR. Narrow band performance may be even better. See **Power Divider Test Sweeps** for specific details.



Model No.	Connectors	Frequency Range	Insertion Loss (above 7.78 dB)	Amplitude Balance	Phase Balance	Isolation	Input VSWR	Output VSWR
PD1060	N-Jack	0.7-2.7 GHz	1.1 dB max	0.3 dB max	5° max	18 dB min	1.40:1 max	1.20:1 max
PD1160	SMA-Jack	0.7-2.7 GHz	1.1 dB max	0.3 dB max	5° max	18 dB min	1.40:1 max	1.20:1 max

50 Intervale Road  
 Boonton, NJ 07005 USA  
 ph: 973.335.6550  
 fx : 973.335.6770  
 email: sales@instockwireless.com  
 web: [www.instockwireless.com](http://www.instockwireless.com)

**INSTOCK**  
 wireless components  
*Better Products. Better Prices.*

- design
- manufacture
- direct sales