

# T-STYLE POWER DIVIDER/COMBINER

## 0.7-2.7 GHz, 40 Watts, 2-Way & 3-Way, N & SMA-Jack Connectors

2-Way/N-Jack



broadband T-Style housing

2-Way/SMA-Jack



T-Style convenient cable access

3-Way/N-Jack



true 3-way power split & balance

3-Way/SMA-Jack



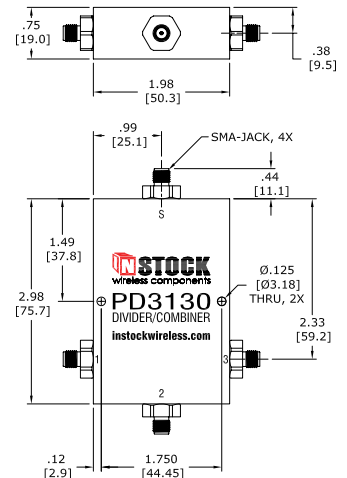
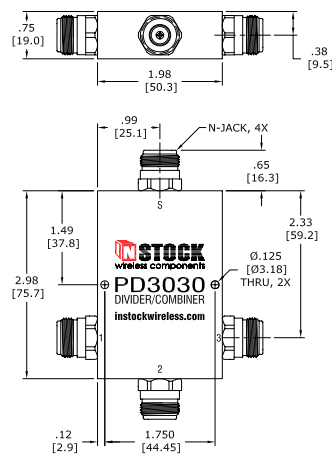
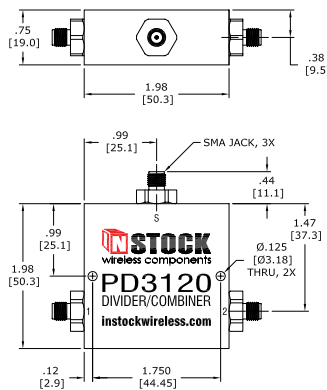
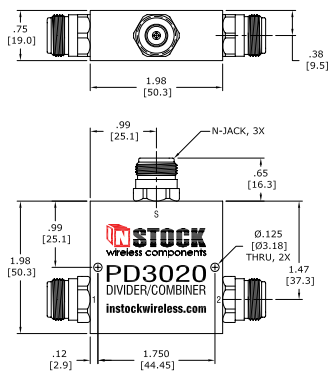
precision microstrip circuit

**PD3020** is a broadband 2-way power divider, power combiner furnished with N-Jack connectors in a T-Style housing. All wireless-band frequencies from 0.7-2.7 GHz are covered with optimum performance. Input power levels up to 40 watts can be handled in both power divider and power combiner applications. See power divider input rating tables for specific details ...

**PD3120's** T-Style housing allows convenient cable access to all connector ports. Mechanical features include precision CNC-machined, brass, SMA-Jack connectors with tri-alloy plating to insure tarnish resistance. Connector pins are gold-plated beryllium copper for reliability and low contact resistance. Virgin electrical grade PTFE support insulators captivate the contact pins ...

**PD3030** is a true 3-way power divider, power combiner furnished with N-Jack connectors in a T-Style housing. Electrical performance is highlighted by 0.7 dB max insertion loss, 22 dB min isolation, 1.35:1 max input VSWR and 1.15:1 max output VSWR. Equal power split and balance is displayed by 0.3 dB amplitude balance and 4° phase balance. Narrow band performance is even better ...

**PD3130** is a true 3-way power divider, power combiner with equal power split and balance. Furnished with SMA-Jack connectors in a T-Style housing, PD3130 covers all wireless band frequencies from 0.7-2.7 GHz with optimum performance. The heart of the unit is a precision designed and etched microstrip circuit on a low-loss, high-frequency, dielectric substrate ...



Model No.	Connectors	Frequency Range	Insertion Loss (above power split)	Amplitude Balance	Phase Balance	Isolation	Input VSWR	Output VSWR
PD3020	2-Way/N-Jack	0.7-2.7 GHz	0.4 dB max	0.2 dB max	2° max	22 dB min	1.25:1 max	1.15:1 max
PD3120	2-Way/SMA-Jack	0.7-2.7 GHz	0.4 dB max	0.2 dB max	2° max	22 dB min	1.20:1 max	1.15:1 max
PD3030	3-Way/N-Jack	0.7-2.7 GHz	0.7 dB max	0.3 dB max	4° max	22 dB min	1.35:1 max	1.15:1 max
PD3130	3-Way/SMA-Jack	0.7-2.7 GHz	0.7 dB max	0.3 dB max	4° max	22 dB min	1.30:1 max	1.15:1 max

50 Intervale Road  
 Boonton, NJ 07005 USA  
 ph: 973.335.6550  
 fx : 973.335.6770  
 email: sales@instockwireless.com  
 web: www.instockwireless.com

**INSTOCK**  
 wireless components  
*Better Products. Better Prices.*

- design
- manufacture
- direct sales