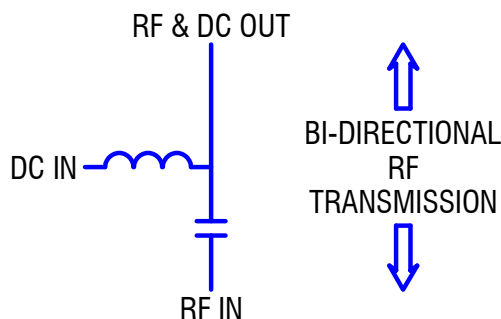
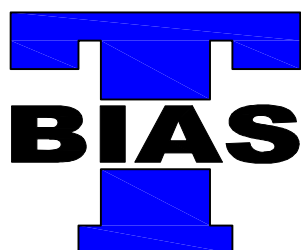
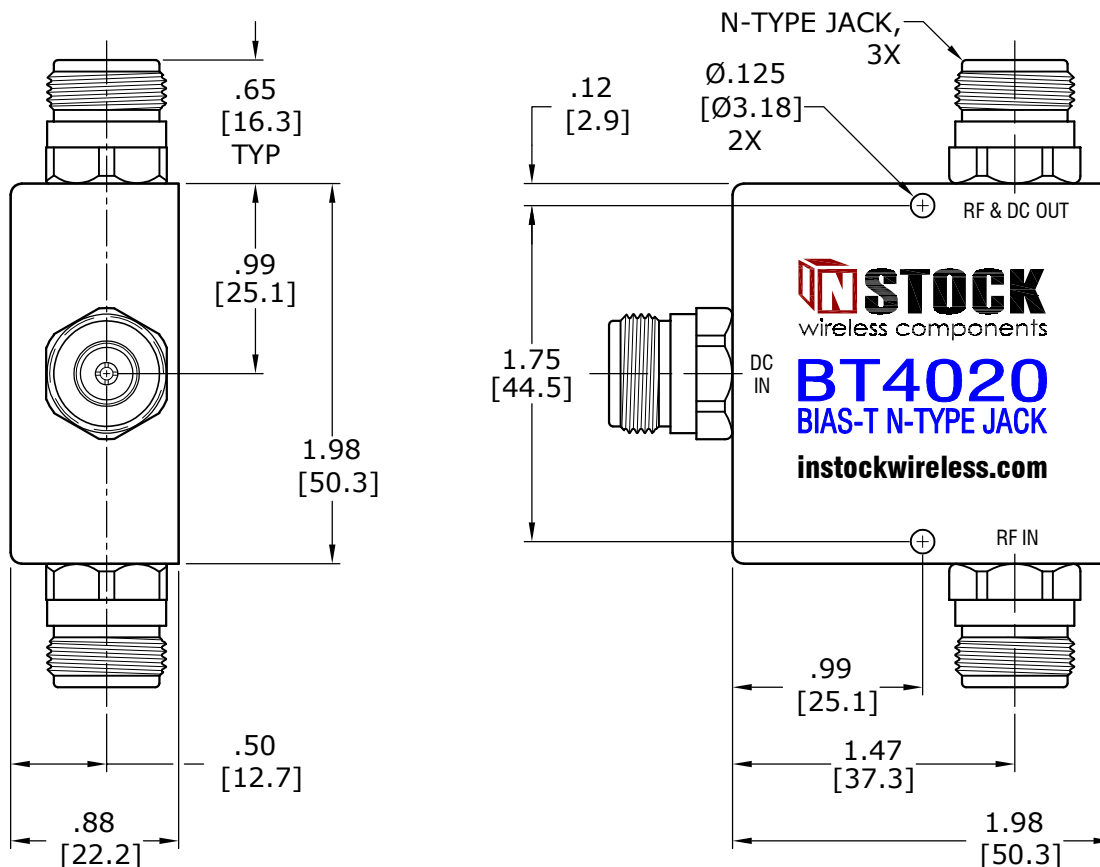


**ELECTRICAL SPECIFICATIONS:**

1.) FREQUENCY RANGE (MHz):	10-3500	3500-4000
2.) IMPEDANCE:	50 OHMS	
3.) INSERTION LOSS (MAX):	0.30 dB	0.35 dB
4.) VSWR (MAX):	1.20 : 1	
5.) DC VOLTAGE (MAX):	100 V	
6.) DC CURRENT (MAX):	1.5 A	
7.) RF-DC ISOLATION (MIN):	40 dB	
8.) RF INPUT POWER (MAX):	100W	

**MECHANICAL SPECIFICATIONS:**

1.) CONNECTORS:	TYPE-N FEMALE (JACK), 50 OHM
2.) CONNECTOR BODY:	BRASS, TRI-ALLOY PLATE
3.) CONNECTOR PIN:	PHOSPHOR BRONZE, GOLD PLATE
4.) INSULATOR:	PTFE, VIRGIN ELECTRICAL GRADE
5.) HOUSING:	ALUMINUM, CLEAR CHEM CONVERSION FILM, RoHS COMPLIANT (NO HEX CHROM)
6.) SOLDER:	LEAD FREE, RoHS COMPLIANT
7.) OPERATING TEMP:	-65°C TO +85°C
8.) WEIGHT:	173 GRAMS



*Bias-Tee, N-Type, typically used for injecting DC current into RF transmission line.*

REV	DESCRIPTION	BY	DATE

TOLERANCES	
INCHES	MILLIMETERS
.00 = ±.01	.0 = ±.25
.000 = ±.004	.00 = ±.10
DRAWN: TRD	APPROVED: MJD
DATE: 5/07/17	DATE: 5/07/17

**STOCK**  
wireless components  
www.instockwireless.com

MODEL NO.	<b>BT4020</b>
TITLE	BIAS-TEE, N-TYPE FEMALE (JACK), 10 - 4000 MHz, 100 VDC, 1.5A, 50 OHM, RoHS