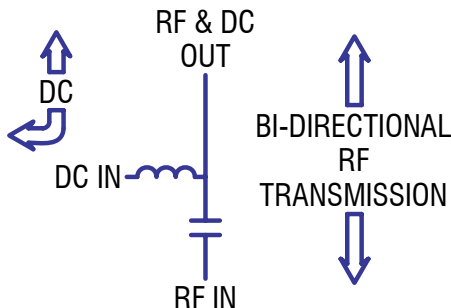
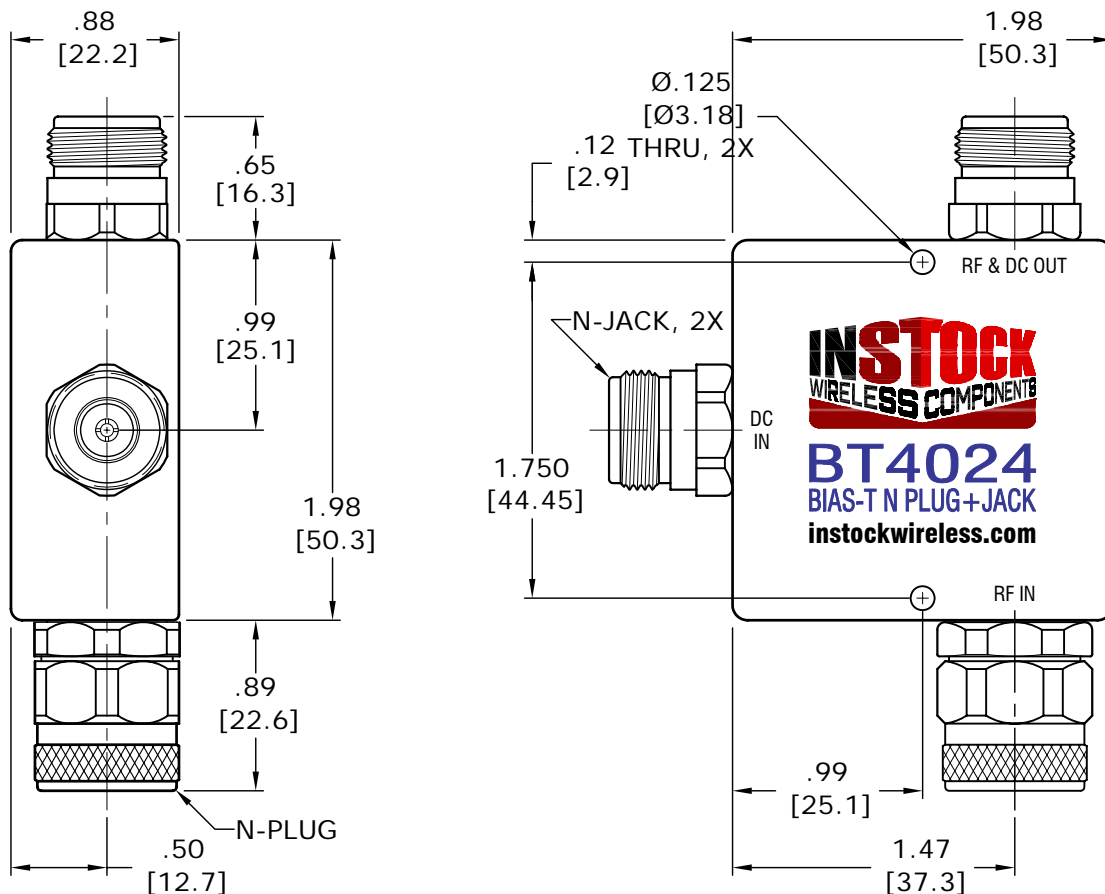


ELECTRICAL SPECIFICATIONS:

- 1.) FREQUENCY RANGE (MHz): 10-3500 3500-4000
- 2.) IMPEDANCE: 50 OHMS
- 3.) INSERTION LOSS (MAX): 0.30 dB 0.35 dB
- 4.) VSWR (MAX): 1.20 : 1
- 5.) DC VOLTAGE (MAX): 100 V
- 6.) DC CURRENT (MAX): 1.5 A
- 7.) RF-DC ISOLATION (MIN): 40 dB
- 8.) RF INPUT POWER (MAX): 100W

MECHANICAL SPECIFICATIONS:

- 1.) CONNECTORS: TYPE-N PLUG & JACK, 50 OHM
- 2.) CONNECTOR BODY: BRASS, TRI-ALLOY PLATE
- 3.) CONNECTOR PIN: BRASS & PHOSPHOR BRONZE, GOLD PLATE
- 4.) INSULATOR: PTFE, VIRGIN ELECTRICAL GRADE
- 5.) HOUSING: ALUMINUM, CLEAR CHEM CONVERSION FILM, RoHS COMPLIANT (NO HEX CHROM)
- 6.) SOLDER: LEAD FREE, RoHS COMPLIANT
- 7.) OPERATING TEMP: -65°C TO +85°C
- 8.) WEIGHT: 173 GRAMS



Bias-Tee, N-Type plug & jack connectors, typically used for injecting DC current into RF transmission line or extracting DC current from RF transmission line.

| TOLERANCES | |
|---------------|---------------|
| INCHES | MILLIMETERS |
| .00 = ±.01 | .0 = ±.25 |
| .000 = ±.004 | .00 = ±.10 |
| DRAWN: TRD | APPROVED: MJD |
| DATE: 5/07/17 | DATE: 5/07/17 |



| | |
|-----------|---|
| MODEL NO. | BT4024 |
| TITLE | BIAS-TEE, N-TYPE PLUG & JACK, 10 - 4000 MHz, 100 VDC, 1.5 A, 50 OHM, RoHS |

| REV | DESCRIPTION | BY | DATE |
|-----|-------------|----|------|
| | | | |