

**ELECTRICAL SPECIFICATIONS:**

- 1.) FREQUENCY RANGE: 698 - 2700 MHz
- 2.) IMPEDANCE: 50 OHMS
- 3.) INSERTION LOSS (MAX): 0.4 dB (ABOVE 3.01 dB SPLIT)
- 4.) AMPLITUDE BALANCE (MAX): 0.2 dB
- 5.) PHASE BALANCE (MAX): 3 DEGREES
- 6.) ISOLATION (MIN): 22 dB
- 7.) INPUT VSWR (MAX): 1.20 : 1
- 8.) OUTPUT VSWR (MAX): 1.15 : 1

**MECHANICAL SPECIFICATIONS:**

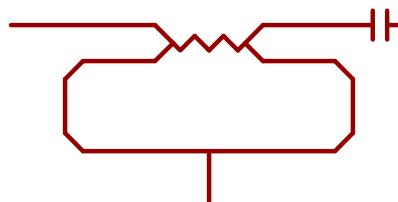
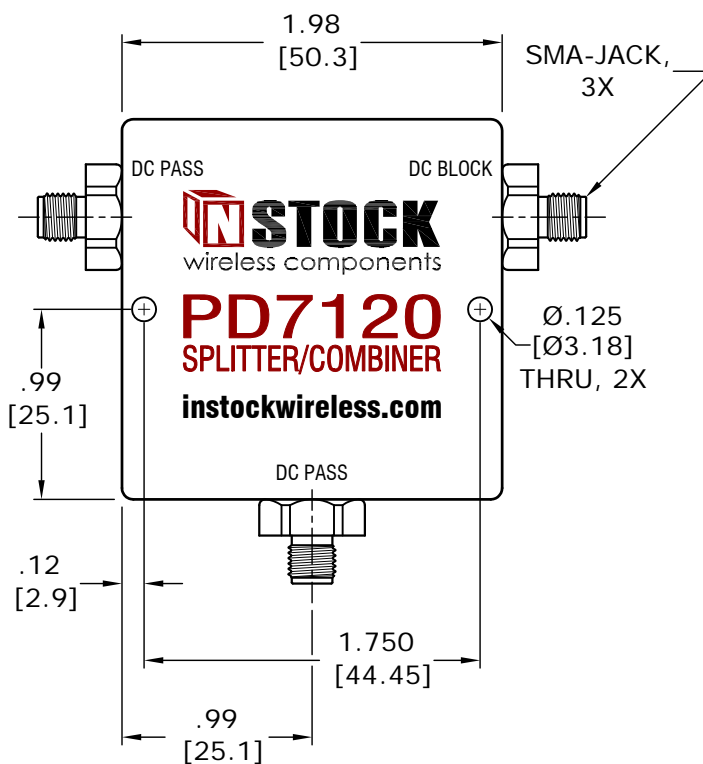
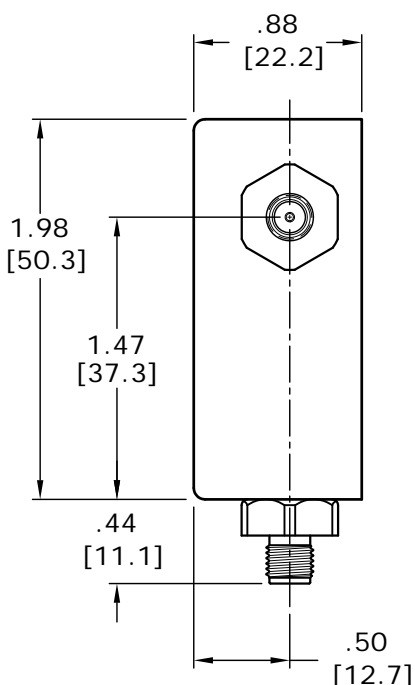
- 1.) CONNECTORS: SMA FEMALE (JACK), 50 OHM
- 2.) MATERIAL/FINISH:
  - A.) CONNECTOR BODY: BRASS, TRI-ALLOY PLATE, TARNISH RESISTANT & LOW PIM
  - B.) CONNECTOR PIN: BERYLLIUM COPPER, GOLD PLATE
  - C.) INSULATOR: PTFE, VIRGIN ELECTRICAL GRADE
  - D.) HOUSING: ALUMINUM, YELLOW IRIDITE
- 3.) OPERATING TEMP: -65°C TO +85°C
- 4.) WEIGHT: 133 GRAMS

**RF INPUT POWER RATING (POWER DIVIDER SPLITTER):**

| INTO MATCHED LOAD VSWR's | IN-PHASE | 180° OUT-OF-PHASE |
|--------------------------|----------|-------------------|
| 1.2 : 1                  | 40 WATTS | 40 WATTS          |
| 2.0 : 1                  | 40 WATTS | 10 WATTS          |
| ∞                        | 20 WATTS | 1 WATT            |

**RF INPUT POWER RATING (POWER COMBINER):**

|                                      |               |
|--------------------------------------|---------------|
| COHERENT SIGNALS (IN-PHASE)          | 2 X 20 WATTS  |
| COHERENT SIGNALS (180° OUT-OF-PHASE) | 2 X 0.5 WATTS |
| NON-COHERENT SIGNALS                 | 2 X 1 WATT    |
| OTHER CONDITIONS - CONSULT FACTORY   |               |



*2-way, DC blocking power splitter; DC pass one (1) port, DC block one (1) port. Typically used for powering an active antenna through the power divider-splitter.*

| REV | DESCRIPTION | BY | DATE |
|-----|-------------|----|------|
|     |             |    |      |

| TOLERANCES     |                |
|----------------|----------------|
| INCHES         | MILLIMETERS    |
| .00 = ±.01     | .0 = ±.25      |
| .000 = ±.004   | .00 = ±.10     |
| DRAWN: MJD     | APPROVED: EMM  |
| DATE: 03/28/07 | DATE: 03/28/07 |

**INSTOCK**  
wireless components  
www.instockwireless.com

|           |   |
|-----------|---|
| MODEL NO. | <b>PD7120</b>   |
| TITLE     | DC BLOCKING POWER SPLITTER, T-STYLE, 2 WAY, SMA JACK, 0.698-2.700 GHz, 40W, 50 OHM, RoHS, DC BLOCK ONE (1) PORT |