

ELECTRICAL SPECIFICATIONS:

1.) FREQUENCY RANGE (MHz):	698-800	800-1000	1000-1700	1700-2500	2500-2700
2.) IMPEDANCE:	—	—	50 OHMS	—	—
3.) INSERTION LOSS (MAX):	0.35 dB*	0.35 dB*	0.55 dB*	0.95 dB*	1.15 dB*
4.) AMPLITUDE BALANCE (MAX):	0.15 dB	0.15 dB	0.1 dB	0.1 dB	0.1 dB
5.) PHASE BALANCE (MAX):	—	—	2 DEGREES	—	—
6.) ISOLATION (MIN):	17 dB	20 dB	20 dB	24 dB	20 dB
7.) INPUT VSWR (MAX):	1.35 : 1	1.25 : 1	1.40 : 1	1.35 : 1	1.50 : 1
8.) OUTPUT VSWR (MAX):	1.10 : 1	1.10 : 1	1.20 : 1	1.30 : 1	1.30 : 1

*ABOVE 3.01 dB POWER SPLIT

MECHANICAL SPECIFICATIONS:

1.) CONNECTORS:	TYPE-N FEMALE (JACK), 50 OHM
2.) CONNECTOR BODY:	BRASS, TRI-ALLOY PLATE
3.) CONNECTOR PIN:	PHOSPHOR BRONZE, GOLD PLATE
4.) INSULATOR:	PTFE, VIRGIN ELECTRICAL GRADE
5.) HOUSING:	ALUMINUM, CLEAR CHEM FILM
6.) SOLDER:	LEAD FREE, RoHS COMPLIANT
7.) PROTECTION RATING:	IP67 WEATHERPROOF
8.) OPERATING TEMP:	-65°C TO +85°C
9.) WEIGHT:	317 GRAMS

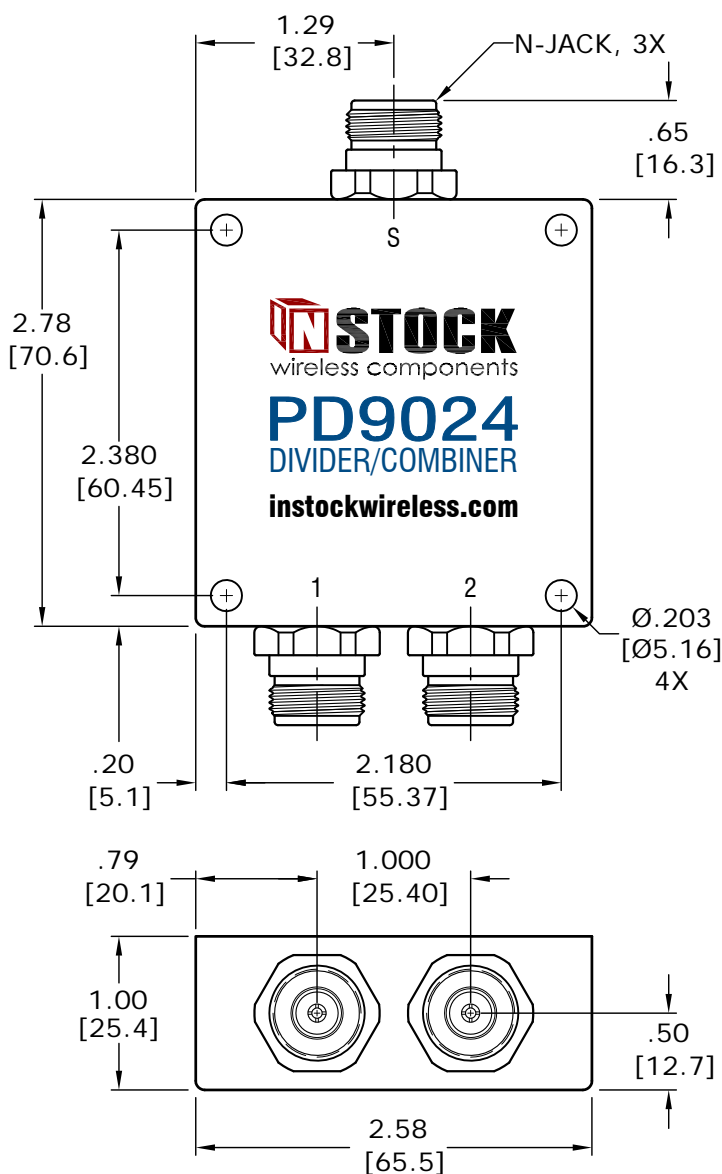
RF INPUT POWER RATING (POWER DIVIDER SPLITTER):

INTO MATCHED LOAD VSWR's	IN-PHASE	180° OUT-OF-PHASE
1.2 : 1	100 WATTS	100 WATTS
2.0 : 1	100 WATTS	100 WATTS
∞	100 WATTS	20 WATTS

RF INPUT POWER RATING (POWER COMBINER):

COHERENT SIGNALS (IN-PHASE)	2 X 50 WATTS
COHERENT SIGNALS (180° OUT-OF-PHASE)	2 X 10 WATTS
NON-COHERENT SIGNALS	2 X 20 WATTS

NOTE: CASE TEMPERATURE NOT TO EXCEED 100° C



TOLERANCES	
INCHES	MILLIMETERS
.00 = ±.01	.0 = ±.25
.000 = ±.004	.00 = ±.10
DRAWN: MJD	APPROVED: EMM
DATE: 12/24/08	DATE: 12/24/08



MODEL NO.	PD9024
TITLE	2 WAY POWER DIVIDER COMBINER, RoHS, N-TYPE JACK, 0.698 - 2.7 GHz, 100W, 50 OHM, 0 DEGREE, IP67 WEATHERPROOF

REV	DESCRIPTION	BY	DATE