

**ELECTRICAL SPECIFICATIONS:**

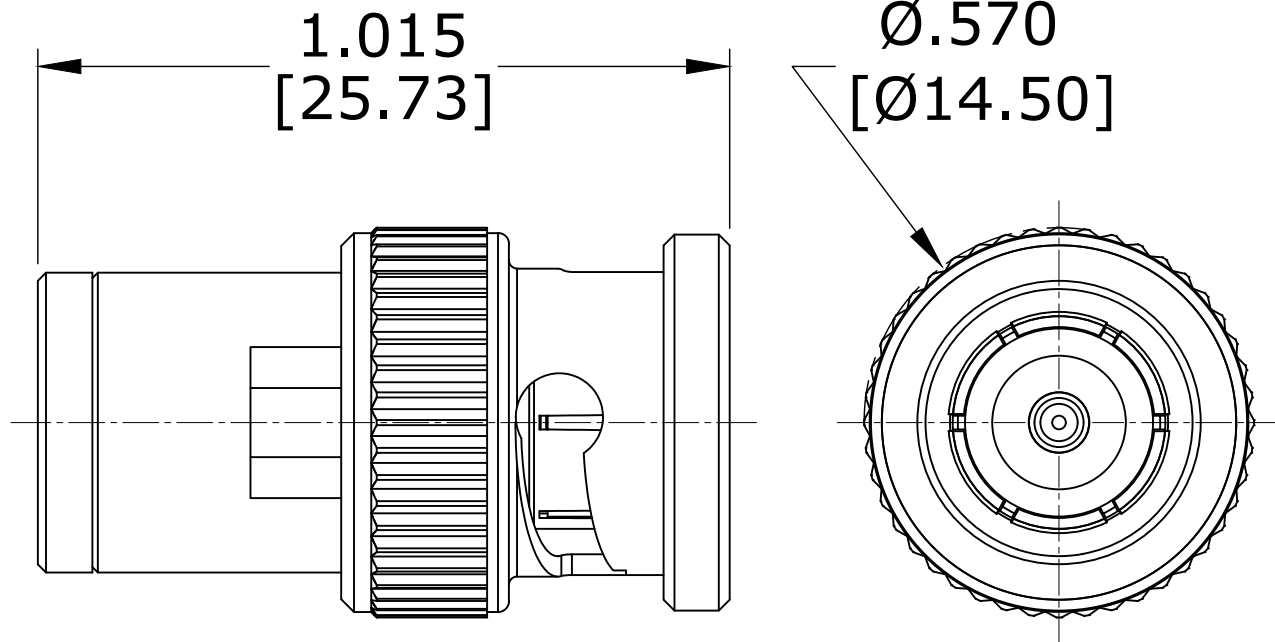
- 1.) IMPEDANCE NOMINAL: 50 OHMS
- 2.) FREQUENCY RANGE: DC - 6.0 GHz
- 3.) POWER RATING (AVG): 1 WATT
- 4.) VSWR (MAX): DC - 1 GHz: 1.05 : 1  
1 GHz - 6 GHz: 1.10 : 1

**MATERIAL AND FINISH:**

- 1.) INTERFACE IN ACCORDANCE WITH MIL-STD-348B
- 2.) BODY: BRASS, 2 μm NICKEL PLATE
- 3.) CENTER CONTACT: BRASS, 0.7 μm GOLD PLATE, OVER 2 μm NICKEL PLATE
- 4.) INSULATOR: PTFE
- 5.) GASKET: SILICONE RUBBER
- 6.) RESISTOR: THICK FILM
- 7.) SUBSTRATE: ALUMINA
- 8.) WATERTIGHTNESS: IP68, WHEN MATED WITH A SUITABLE CONNECTOR

**MECHANICAL SPECIFICATIONS:**

- 1.) TEMPERATURE RANGE: -55°C TO +125°C
- 2.) WEIGHT: 11 GRAMS



REV	DESCRIPTION	BY	DATE	TOLERANCES	
				INCHES	MILLIMETERS
				.00 = ±.01	.0 = ±.25
				.000 = ±.004	.00 = ±.10
				DRAWN: TRD	APPROVED: TDP
				DATE: 01/02/20	DATE: 01/02/20



MODEL NO.	TB0601
TITLE	50 OHM, BNC-TYPE MALE COAXIAL TERMINATION, 1 WATT, DC-6 GHz, IP68 WEATHERPROOF