

ELECTRICAL SPECIFICATIONS:

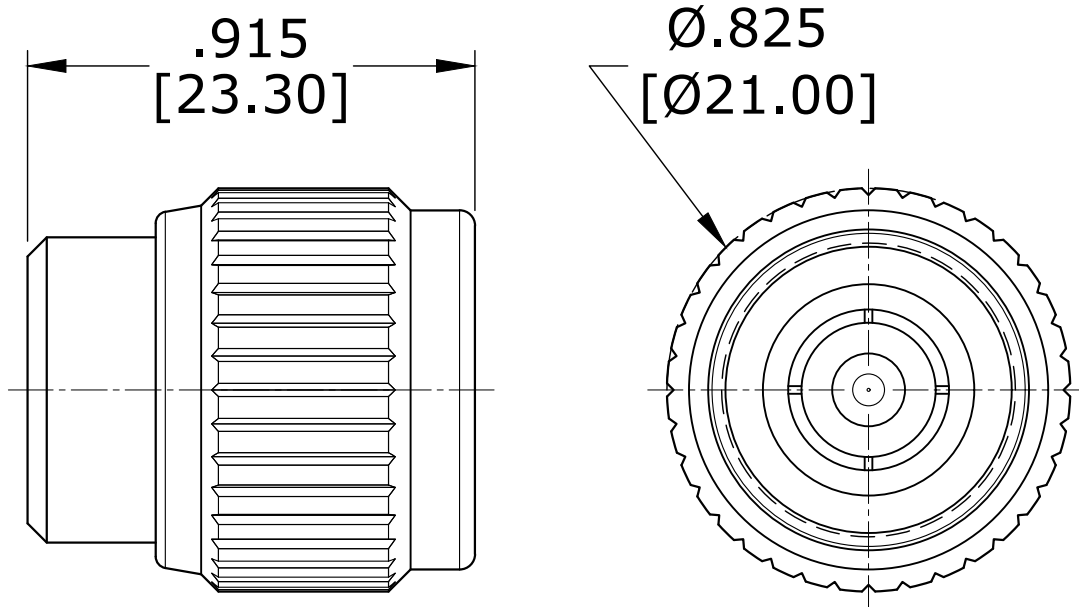
- 1.) IMPEDANCE NOMINAL: 50 OHMS
- 2.) FREQUENCY RANGE: DC - 6.0 GHz
- 3.) POWER RATING (AVG): 1 WATT
- 4.) VSWR (MAX): DC - 1 GHz: 1.05 : 1
1 GHz - 6 GHz: 1.10 : 1


MATERIAL AND FINISH:

- 1.) INTERFACE IN ACCORDANCE WITH MIL-STD-348B
- 2.) BODY: BRASS, 2 μm NICKEL PLATE
- 3.) CENTER CONTACT: BRASS, 1.2 μm GOLD PLATE, OVER 2 μm NICKEL PLATE
- 4.) INSULATOR: PTFE
- 5.) GASKET: SILICONE RUBBER
- 6.) RESISTOR: THICK FILM
- 7.) SUBSTRATE: ALUMINA
- 8.) WATERTIGHTNESS: IP68, WHEN MATED WITH A SUITABLE CONNECTOR

MECHANICAL SPECIFICATIONS:

- 1.) MATING TORQUE (MAX): 15 LB-IN (170 N-CM)
- 2.) TEMPERATURE RANGE: -55°C TO +125°C
- 3.) WEIGHT: 33 GRAMS



REV	DESCRIPTION	BY	DATE	TOLERANCES		 www.instockwireless.com	MODEL NO.
				INCHES	MILLIMETERS		TN0601
				.00 = ±.01	.0 = ±.25		TITLE
				.000 = ±.004	.00 = ±.10		50 OHM, N-TYPE MALE COAXIAL TERMINATION, 1 WATT, DC-6 GHz, IP68 WEATHERPROOF
				DRAWN: JU	APPROVED: TRD		
				DATE: 12/10/19	DATE: 12/10/19		