

**ELECTRICAL SPECIFICATIONS:**

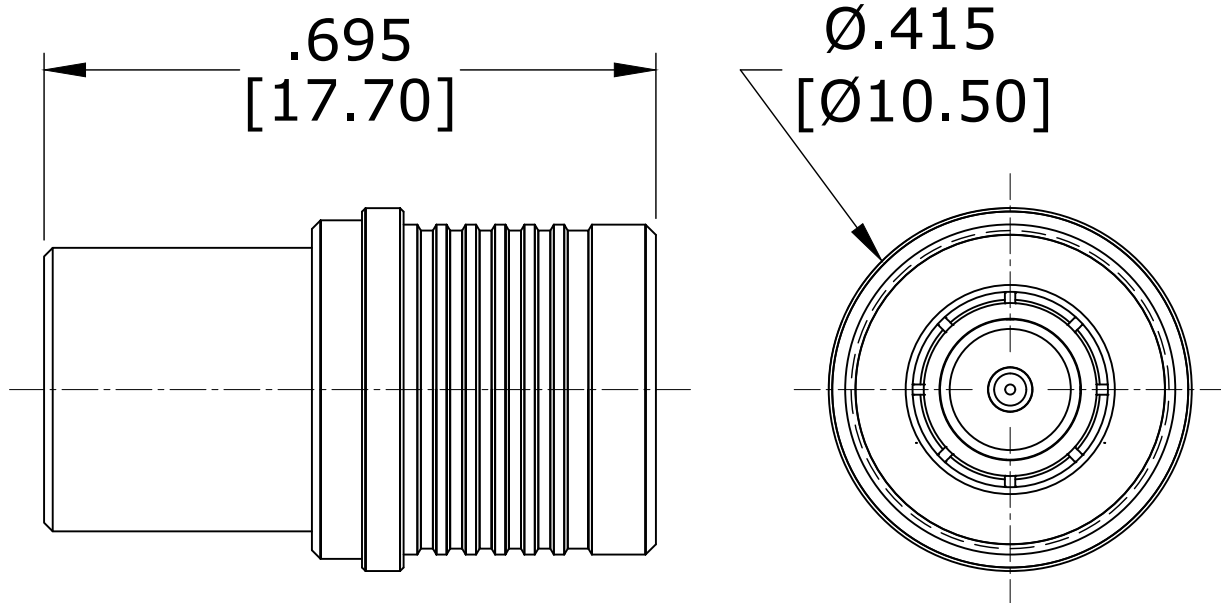
- 1.) IMPEDANCE NOMINAL: 50 OHMS
- 2.) FREQUENCY RANGE: DC - 6.0 GHz
- 3.) POWER RATING (AVG): 1 WATT
- 4.) VSWR (MAX): DC - 1 GHz: 1.05 : 1  
1 GHz - 6 GHz: 1.40 : 1

**MATERIAL AND FINISH:**

- 1.) INTERFACE IN ACCORDANCE WITH MIL-STD-348B
- 2.) BODY: BRASS, 2  $\mu$ m BBR PLATE
- 3.) CENTER CONTACT: BRASS, 1.3  $\mu$ m GOLD PLATE,  
OVER 2.5  $\mu$ m COPPER PLATE
- 4.) OUTER CONTACT: BRASS, 2  $\mu$ m BBR PLATE
- 5.) INSULATOR: PTFE
- 6.) WATERTIGHTNESS: N/A

**MECHANICAL SPECIFICATIONS:**

- 1.) TEMPERATURE RANGE: -40°C TO +105°C
- 2.) WEIGHT: 6 GRAMS



				TOLERANCES	
				INCHES	MILLIMETERS
				.00 = $\pm$ .01	.0 = $\pm$ .25
				.000 = $\pm$ .004	.00 = $\pm$ .10
DRAWN: TRD		APPROVED: TDP			
REV	DESCRIPTION	BY	DATE	DATE: 12/31/19	DATE: 12/31/19

**INSTOCK**  
WIRELESS COMPONENTS  
[www.instockwireless.com](http://www.instockwireless.com)

MODEL NO. **TQ0601**  
TITLE  
50 OHM, QMA-TYPE MALE COAXIAL  
TERMINATION, 1 WATT, DC-6 GHz