

4-WAY POWER DIVIDER/COMBINER

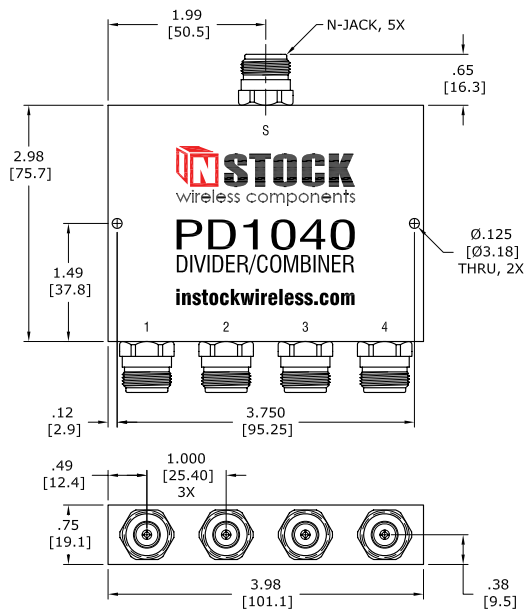
0.7-2.7 GHz, 40 Watts, N & SMA-Jack Connectors

N-Jack Connectors



designed for optimum broadband performance

PD1040 is a broadband 4-way power divider, power combiner furnished with N-Jack connectors. All wireless-band frequencies from 0.7 - 2.7 GHz are covered with optimum performance. Input power levels up to 40 watts can be handled in both power divider and power combiner scenarios. See input power rating tables for specific details.

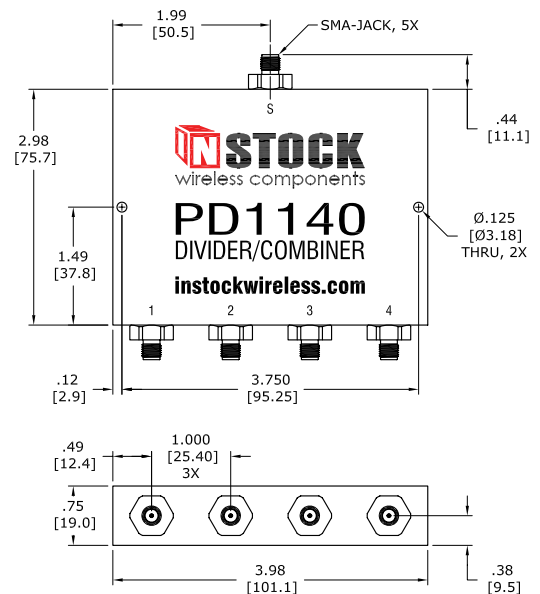


SMA-Jack Connectors



precision designed microstrip circuit

PD1140 is a broadband 4-way power divider, power combiner furnished with SMA-Jack connectors. The heart of the unit is a precision designed and etched microstrip circuit on a low-loss, high-frequency, dielectric substrate. Electrical performance is highlighted by 0.8 dB max insertion loss, 22 dB min isolation, 1.25:1 max input VSWR ...



Model No.	Connectors	Frequency Range	Insertion Loss (above 6.02 dB)	Amplitude Balance	Phase Balance	Isolation	Input VSWR	Output VSWR
PD1040	N-Jack	0.7-2.7 GHz	0.8 dB max	0.3 dB max	4° max	22 dB min	1.30:1 max	1.15:1 max
PD1140	SMA-Jack	0.7-2.7 GHz	0.8 dB max	0.2 dB max	4° max	22 dB min	1.25:1 max	1.15:1 max

50 Intervale Road
 Boonton, NJ 07005 USA
 ph: 973.335.6550
 fx : 973.335.6770
 email: sales@instockwireless.com
 web: www.instockwireless.com

INSTOCK
 wireless components
Better Products. Better Prices.

- design
- manufacture
- direct sales