

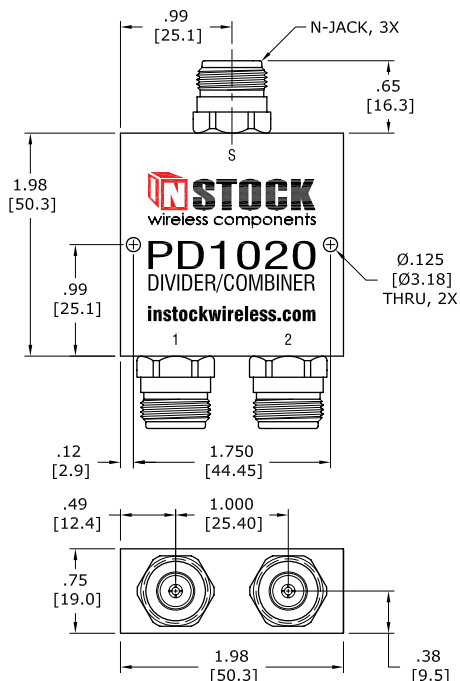
PD1020 - POWER DIVIDER/COMBINER

2-Way, N-Jack, 0.7-2.7 GHz, 40 Watts



In-Line, N-Jack Connectors

- Broadband Frequency (0.7 - 2.7 GHz)
- Low Insertion Loss (0.2 dB avg)
- High Isolation (30 dB avg)
- Excellent VSWR (1.10 : 1 avg)
- Tri-Alloy Plated Connectors for Low PIM

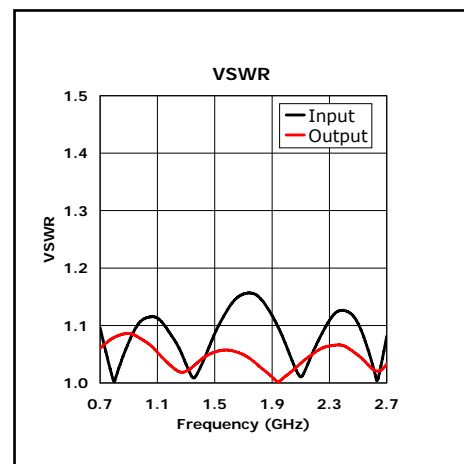
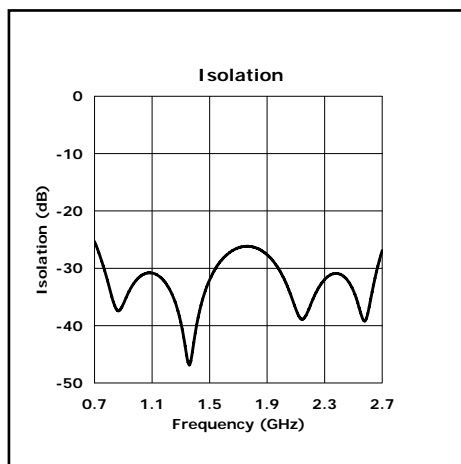
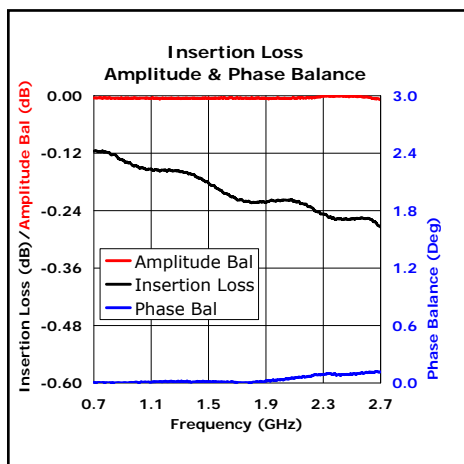


Mechanical Specifications

Connectors N-Jack, 3X
 Body Brass, Tri-Alloy Plate
 Connector Pin Phosphor Bronze, Gold Plate
 Insulator PTFE, Virgin Electrical Grade
 Housing Aluminum, Yellow Iridite
 Operating Temp -65°C to +85°C
 Weight 154 Grams

Power Divider Input Ratings		
Into Matched Load VSWR's	In-Phase	180° Out-of-Phase
1.2 : 1	40 Watts	40 Watts
2.0 : 1	40 Watts	10 Watts
∞	20 Watts	1 Watt
Power Combiner Input Ratings		
Input Signals	In-Phase	180° Out-of-Phase
Coherent	2 X 20 Watts	2 X 0.5 Watts
Non-Coherent	2 X 1 Watt	

Frequency Range	Insertion Loss (above 3.01 dB)	Amplitude Balance	Phase Balance	Isolation	Input VSWR	Output VSWR
0.7 - 2.7 GHz	0.4 dB max	0.2 dB max	2° max	22 dB min	1.20 : 1 max	1.15 : 1 max



50 Intervale Road
 Boonton, NJ 07005 USA
 ph: 973.335.6550
 fx : 973.335.6770
 email: sales@instockwireless.com
 web: www.instockwireless.com

INSTOCK
 wireless components
Better Products. Better Prices.

- design
- manufacture
- direct sales