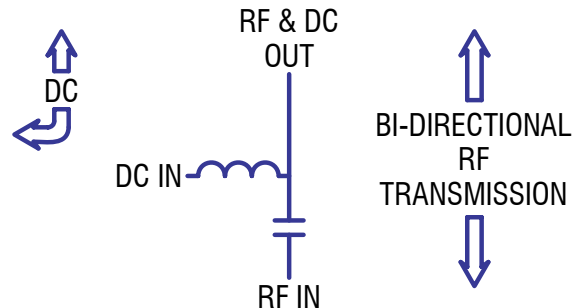
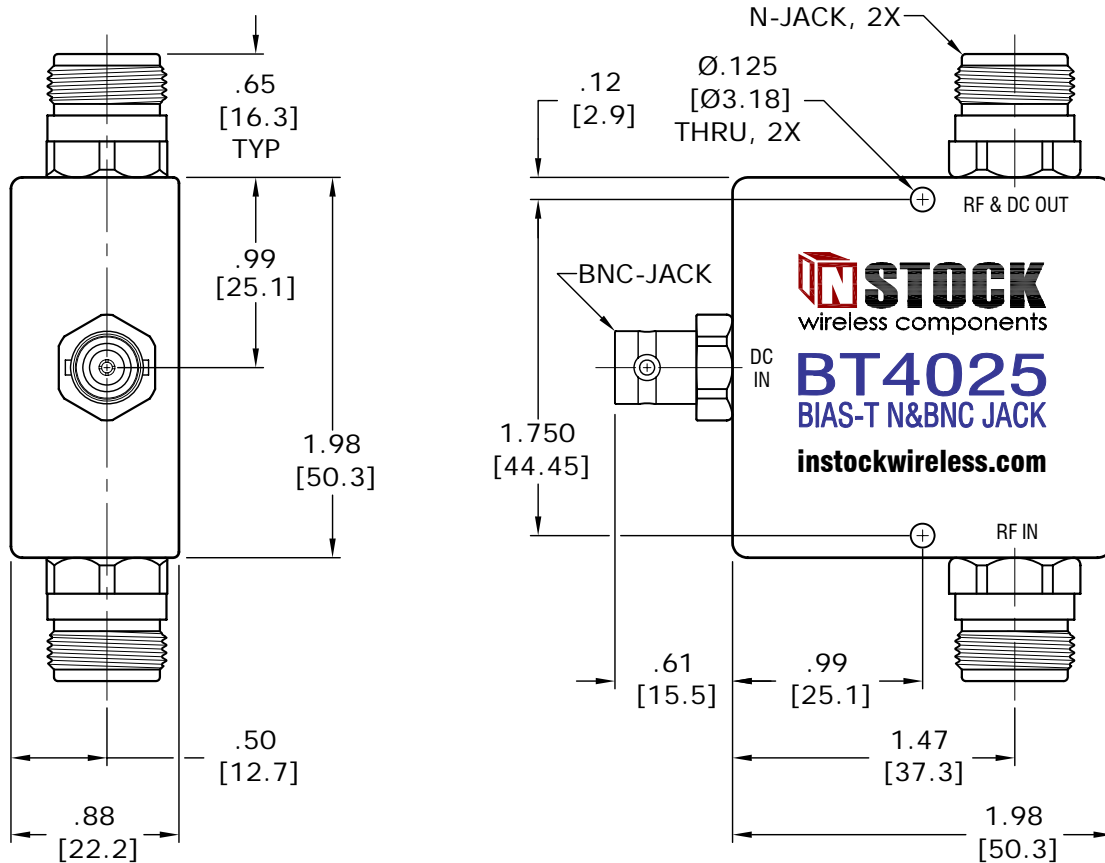


**ELECTRICAL SPECIFICATIONS:**


- 1.) FREQUENCY RANGE (MHz): 10-3500 3500-4000
- 2.) IMPEDANCE: 50 OHMS
- 3.) INSERTION LOSS (MAX): 0.30 dB 0.35 dB
- 4.) VSWR (MAX): 1.20 : 1
- 5.) DC VOLTAGE (MAX): 100 V
- 6.) DC CURRENT (MAX): 1.5 A
- 7.) RF-DC ISOLATION (MIN): 40 dB
- 8.) RF INPUT POWER (MAX): 100W

**MECHANICAL SPECIFICATIONS:**

- 1.) CONNECTORS: N-JACK & BNC-JACK, 50 OHM
- 2.) CONNECTOR BODY: BRASS, TRI-ALLOY PLATE
- 3.) CONNECTOR PIN: PHOSPHOR BRONZE & BE CU, GOLD PLATE
- 4.) INSULATOR: PTFE, VIRGIN ELECTRICAL GRADE
- 5.) HOUSING: ALUMINUM, CLEAR CHEM CONVERSION FILM, RoHS COMPLIANT (NO HEX CHROM)
- 6.) SOLDER: LEAD FREE, RoHS COMPLIANT
- 7.) OPERATING TEMP: -65°C TO +85°C
- 8.) WEIGHT: 160 GRAMS



*Bias-Tee, N-Jack RF connectors & BNC-Jack DC connector, typically for injecting DC current into or extracting DC current from RF transmission line.*

|     |             |    |      |                |                |   |   |
|-----|-------------|----|------|----------------|----------------|---|---|
| REV | DESCRIPTION | BY | DATE | TOLERANCES     |                | <br>www.instockwireless.com | MODEL NO.   |
|     |             |    |      | INCHES         | MILLIMETERS    |   | <b>BT4025</b>   |
|     |             |    |      | .00 = ±.01     | .0 = ±.25      |   | TITLE   |
|     |             |    |      | .000 = ±.004   | .00 = ±.10     |   | BIAS-TEE, N-JACK RF CONNECTORS, BNC-JACK DC CONNECTOR, 50 OHM, 10-4000 MHz, 100 VDC, 1.5A, RoHS |
|     |             |    |      | DRAWN: TRD     | APPROVED: MJD  |   |   |
|     |             |    |      | DATE: 12/17/19 | DATE: 12/17/19 |   |   |