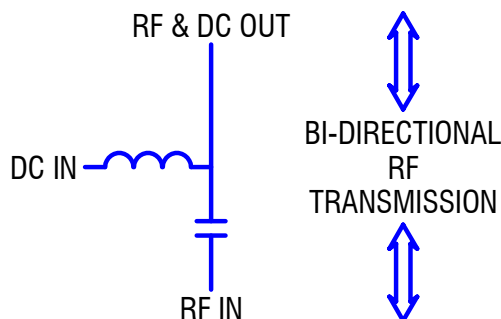
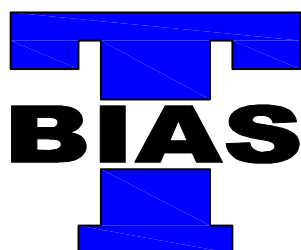
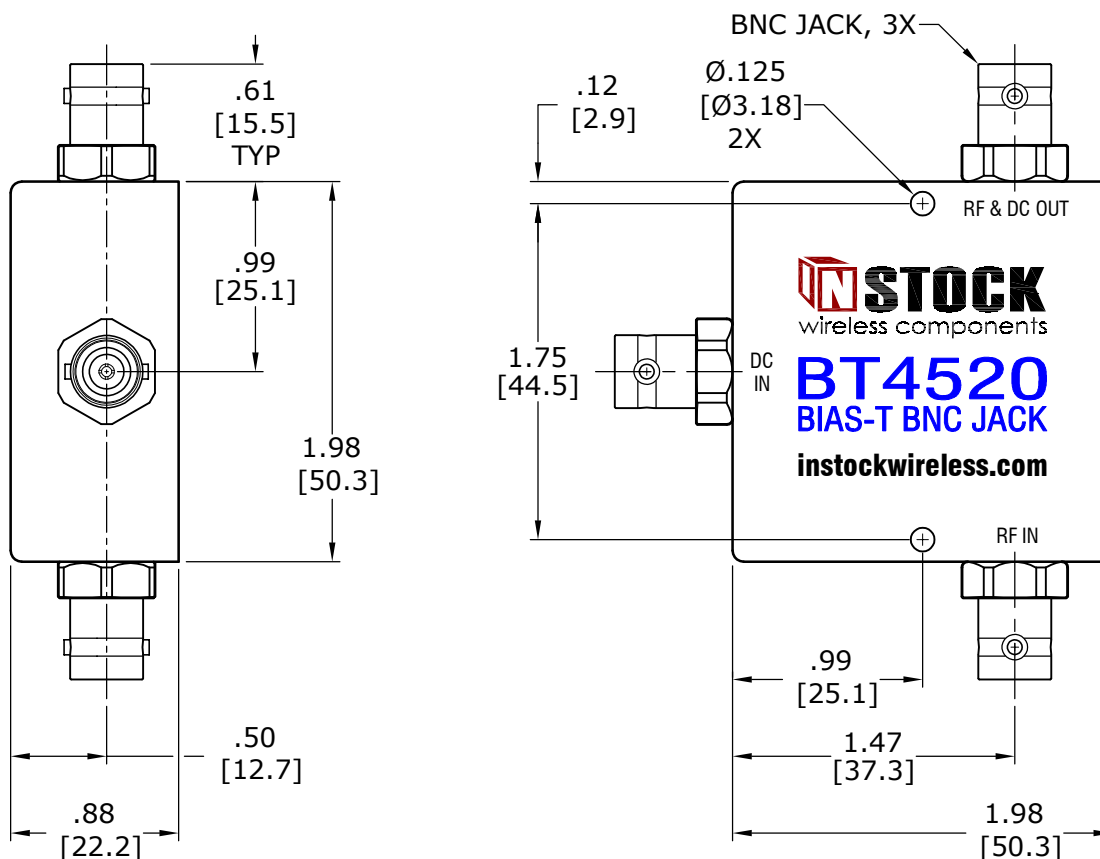


ELECTRICAL SPECIFICATIONS:


- 1.) FREQUENCY RANGE (MHz): 10-3500 3500-4000
- 2.) IMPEDANCE: 50 OHMS
- 3.) INSERTION LOSS (MAX): 0.30 dB 0.35 dB
- 4.) VSWR (MAX): 1.20 : 1
- 5.) DC VOLTAGE (MAX): 100 V
- 6.) DC CURRENT (MAX): 1.5 A
- 7.) RF-DC ISOLATION (MIN): 40 dB
- 8.) RF INPUT POWER (MAX): 100W

MECHANICAL SPECIFICATIONS:

- 1.) CONNECTORS: BNC FEMALE (JACK), 50 OHM
- 2.) CONNECTOR BODY: BRASS, TRI-ALLOY PLATE
- 3.) CONNECTOR PIN: BERYLLIUM COPPER, GOLD PLATE
- 4.) INSULATOR: PTFE, VIRGIN ELECTRICAL GRADE
- 5.) HOUSING: ALUMINUM, CLEAR CHEM CONVERSION FILM, RoHS COMPLIANT (NO HEX CHROM)
- 6.) SOLDER: LEAD FREE, RoHS COMPLIANT
- 7.) OPERATING TEMP: -65°C TO +85°C
- 8.) WEIGHT: 135 GRAMS



Bias-Tee, BNC, typically used for injecting DC current into RF transmission line.

REV	DESCRIPTION	BY	DATE	TOLERANCES		 www.instockwireless.com	MODEL NO.
				INCHES	MILLIMETERS		BT4520
				.00 = ±.01	.0 = ±.25		TITLE
				.000 = ±.004	.00 = ±.10		BIAS-TEE, BNC FEMALE (JACK), 10 - 4000 MHz, 100 VDC, 1.5A, 50 OHM, RoHS
				DRAWN: KMG	APPROVED: MJD		
				DATE: 11/27/17	DATE: 11/27/17		