

**ELECTRICAL SPECIFICATIONS:**

- 1.) FREQUENCY RANGE: 700 - 2700 MHz
- 2.) IMPEDANCE: 50 OHMS
- 3.) INSERTION LOSS (MAX): 1.1 dB (ABOVE 7.78 dB SPLIT)
- 4.) AMPLITUDE BALANCE (MAX): 0.4 dB
- 5.) PHASE BALANCE (MAX): 6 DEGREES
- 6.) ISOLATION (MIN): 22 dB
- 7.) INPUT VSWR (MAX): 1.35 : 1
- 8.) OUTPUT VSWR (MAX): 1.20 : 1

**MECHANICAL SPECIFICATIONS:**

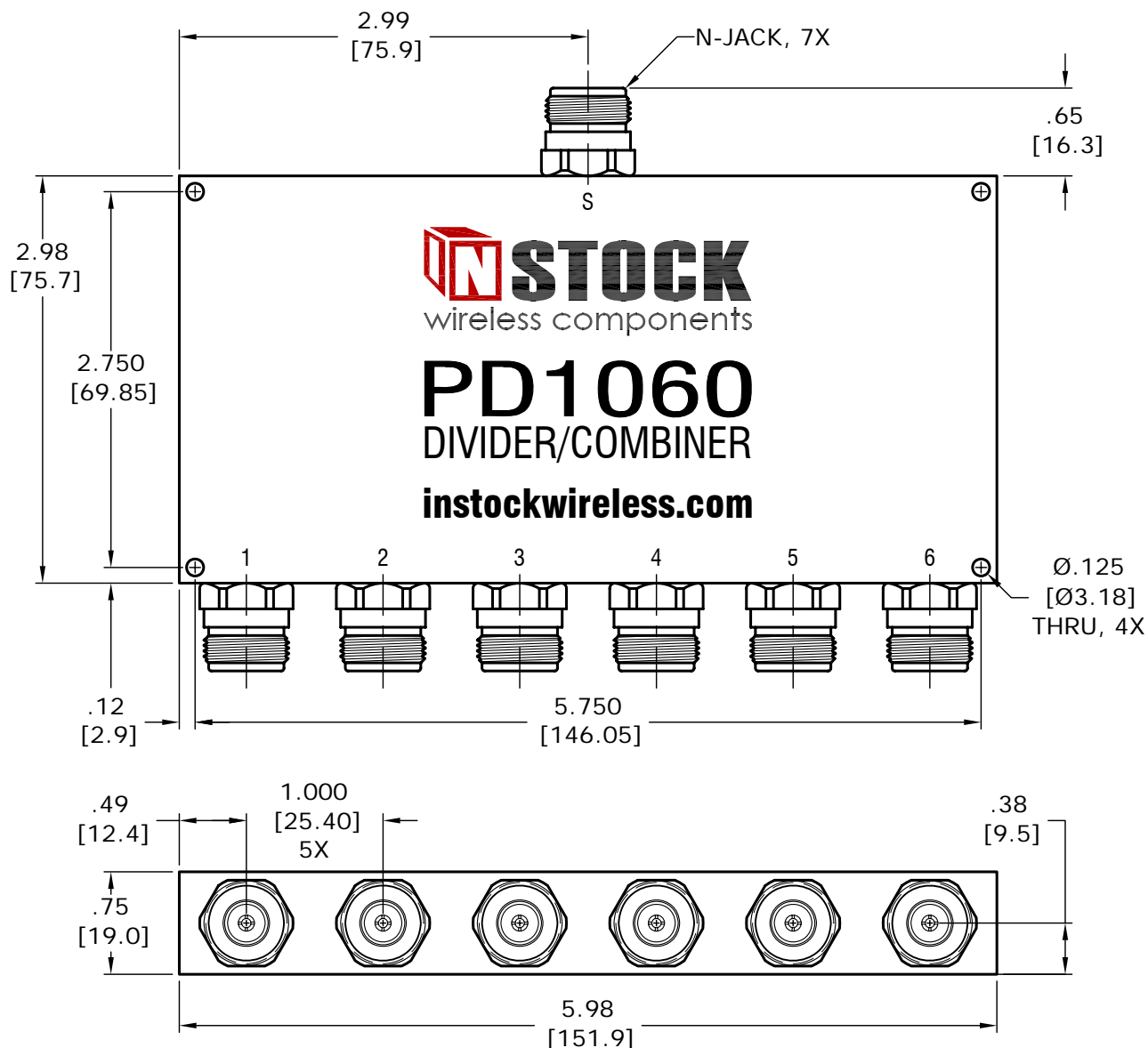
- 1.) CONNECTORS: TYPE-N FEMALE (JACK), 50 OHM
- 2.) MATERIAL/FINISH:
  - A.) CONNECTOR BODY: BRASS, TRI-ALLOY PLATE, TARNISH RESISTANT & LOW PIM
  - B.) CONNECTOR PIN: PHOSPHOR BRONZE, GOLD PLATE
  - C.) INSULATOR: PTFE, VIRGIN ELECTRICAL GRADE
  - D.) HOUSING: ALUMINUM, YELLOW IRIDITE
- 3.) OPERATING TEMP: -65°C TO +85°C
- 4.) WEIGHT: 567 GRAMS

**RF INPUT POWER RATING (POWER DIVIDER SPLITTER):**

INTO MATCHED LOAD VSWR's	IN-PHASE	180° OUT-OF-PHASE
1.2 : 1	40 WATTS	40 WATTS
2.0 : 1	40 WATTS	20 WATTS
∞	20 WATTS	2 WATTS

**RF INPUT POWER RATING (POWER COMBINER):**

COHERENT SIGNALS (IN-PHASE)	6 X 6.67 WATTS
COHERENT SIGNALS (180° OUT-OF-PHASE)	6 X 0.33 WATTS
NON-COHERENT SIGNALS	6 X 0.66 WATTS
OTHER CONDITIONS - CONSULT FACTORY	



TOLERANCES	
INCHES	MILLIMETERS
.00 = ±.01	.0 = ±.25
.000 = ±.004	.00 = ±.10
DRAWN: MJD	APPROVED: EMM
DATE: 03/28/07	DATE: 03/28/07



MODEL NO.  
**PD1060**

TITLE 6 WAY POWER DIVIDER COMBINER, N-TYPE JACK, 0.7-2.7 GHz, 40 WATT, 50 OHM, 0 DEGREE (IN-PHASE)

REV	DESCRIPTION	BY	DATE