

ELECTRICAL SPECIFICATIONS:

- 1.) FREQUENCY RANGE: 350 - 1000 MHz
- 2.) IMPEDANCE: 50 OHMS
- 3.) INSERTION LOSS (MAX): 1.0 dB (ABOVE 6.02 dB SPLIT)
- 4.) AMPLITUDE BALANCE (MAX): 0.3 dB
- 5.) PHASE BALANCE (MAX): 5 DEGREES
- 6.) ISOLATION (MIN): 22 dB
- 7.) INPUT VSWR (MAX): 1.35 : 1
- 8.) OUTPUT VSWR (MAX): 1.15 : 1

MECHANICAL SPECIFICATIONS:

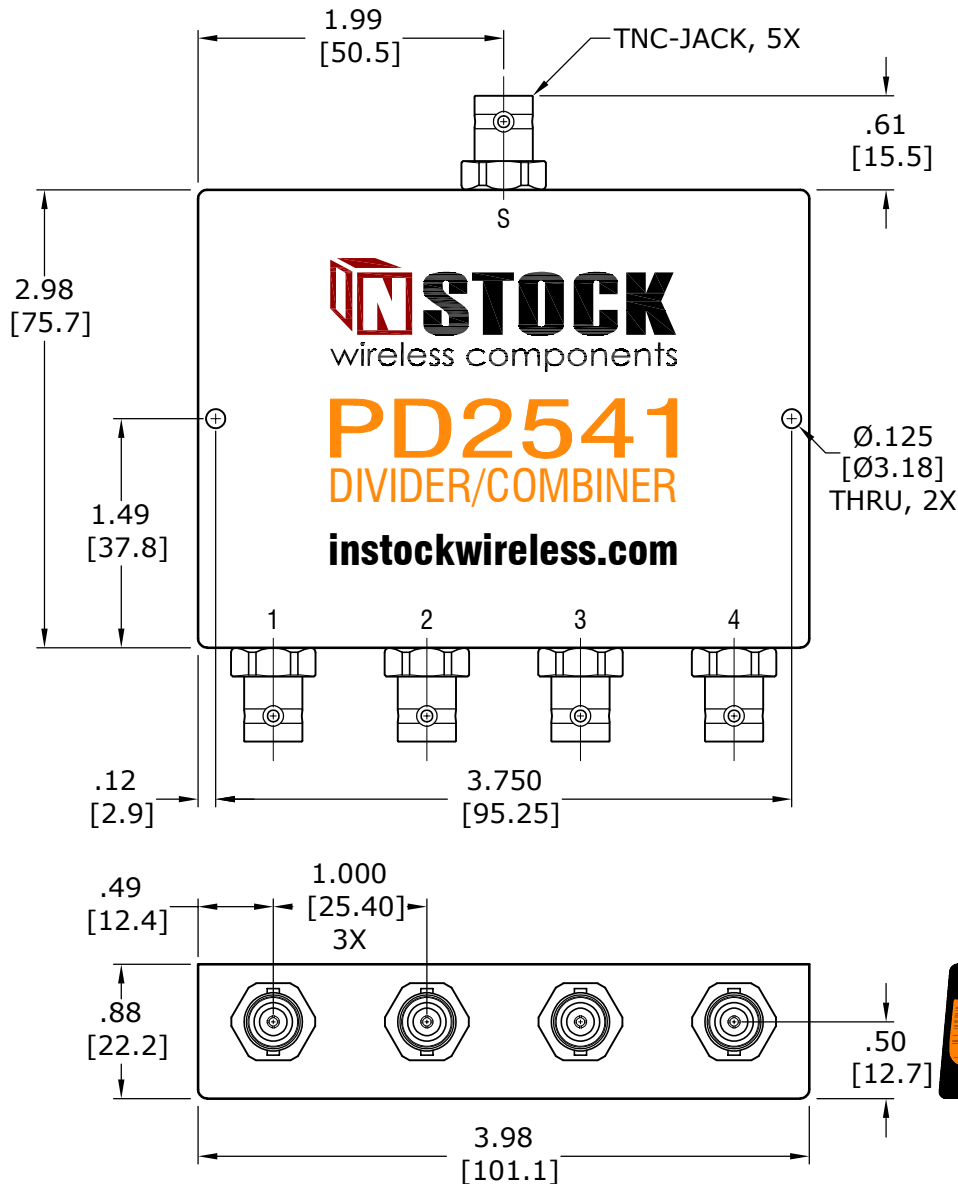
- 1.) CONNECTORS: TNC FEMALE (JACK), 50 OHM
- 2.) CONNECTOR BODY: BRASS, TRI-ALLOY PLATE
- 3.) CONNECTOR PIN: BERYLLIUM COPPER, GOLD PLATE
- 4.) INSULATOR: PTFE, VIRGIN ELECTRICAL GRADE
- 5.) HOUSING: ALUMINUM, CLEAR CHEM CONVERSION FILM, RoHS COMPLIANT (NO HEX CHROM)
- 6.) SOLDER: LEAD FREE, RoHS COMPLIANT
- 7.) OPERATING TEMP: -65°C TO +85°C
- 8.) WEIGHT: 383 GRAMS

RF INPUT POWER RATING (POWER DIVIDER SPLITTER):

| INTO MATCHED LOAD VSWR's | IN-PHASE | 180° OUT-OF-PHASE |
|--------------------------|----------|-------------------|
| 1.2 : 1 | 30 WATTS | 30 WATTS |
| 2.0 : 1 | 30 WATTS | 15 WATTS |
| ∞ | 15 WATTS | 1.5 WATTS |

RF INPUT POWER RATING (POWER COMBINER):

| | |
|--------------------------------------|-----------------|
| COHERENT SIGNALS (IN-PHASE) | 4 X 7.5 WATTS |
| COHERENT SIGNALS (180° OUT-OF-PHASE) | 4 X 0.375 WATTS |
| NON-COHERENT SIGNALS | 4 X 0.75 WATTS |
| OTHER CONDITIONS - CONSULT FACTORY | |



| TOLERANCES | |
|----------------|----------------|
| INCHES | MILLIMETERS |
| .00 = ±.01 | .0 = ±.25 |
| .000 = ±.004 | .00 = ±.10 |
| DRAWN: KMG | APPROVED: MJD |
| DATE: 01/22/18 | DATE: 01/22/18 |



| | |
|-----------|--|
| MODEL NO. | PD2541 |
| TITLE | 4 WAY POWER DIVIDER COMBINER, TNC FEMALE, 350 - 1000 MHz, 30W, 50 OHM, 0 DEGREE (IN-PHASE), RoHS |

| REV | DESCRIPTION | BY | DATE |
|-----|-------------|----|------|
| | | | |