

**ELECTRICAL SPECIFICATIONS:**

- 1.) FREQUENCY RANGE: 430 - 470 MHz
- 2.) IMPEDANCE: 50 OHMS
- 3.) INSERTION LOSS (MAX): 0.2 dB (ABOVE 3.01 dB SPLIT)
- 4.) AMPLITUDE BALANCE (MAX): 0.1 dB
- 5.) PHASE BALANCE (MAX): 2 DEGREES
- 6.) ISOLATION (MIN): 25 dB
- 7.) INPUT VSWR (MAX): 1.15 : 1
- 8.) OUTPUT VSWR (MAX): 1.10 : 1

**MECHANICAL SPECIFICATIONS:**

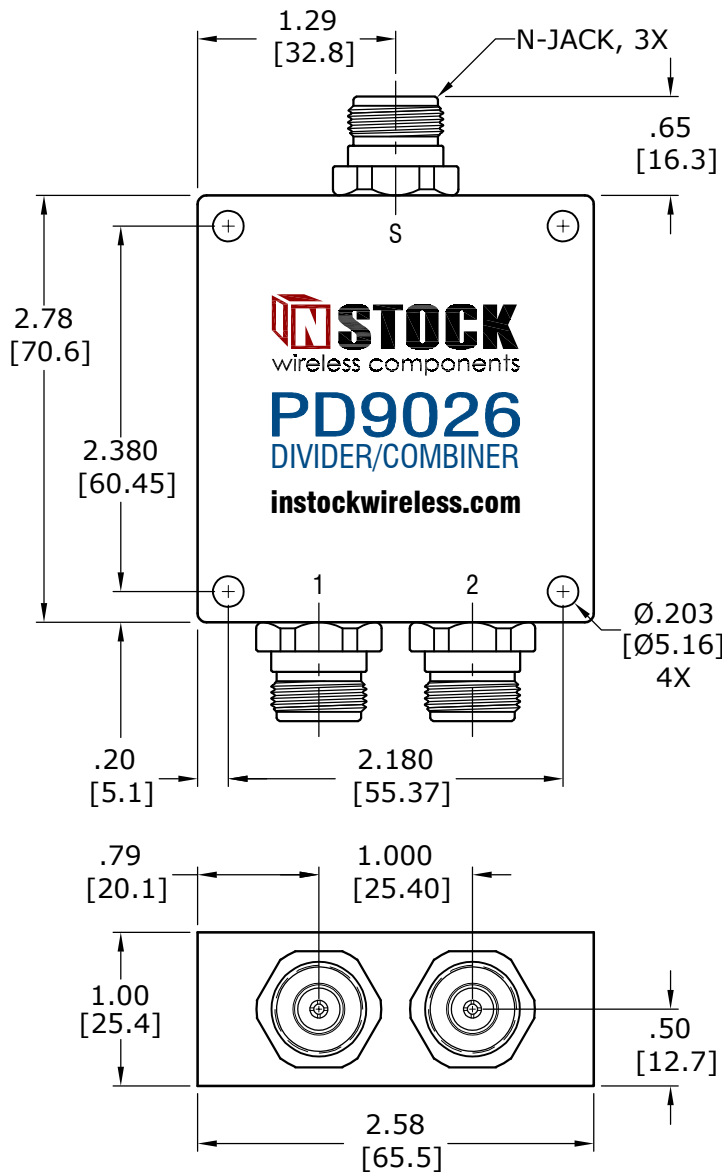
- 1.) CONNECTORS: TYPE-N FEMALE (JACK), 50 OHM
- 2.) CONNECTOR BODY: BRASS, TRI-ALLOY PLATE
- 3.) CONNECTOR PIN: PHOSPHOR BRONZE, GOLD PLATE
- 4.) INSULATOR: PTFE, VIRGIN ELECTRICAL GRADE
- 5.) HOUSING: ALUMINUM, CLEAR CHEM FILM
- 6.) SOLDER: LEAD FREE, RoHS COMPLIANT
- 7.) PROTECTION RATING: IP67 WEATHERPROOF
- 8.) OPERATING TEMP: -65°C TO +85°C
- 9.) WEIGHT: 317 GRAMS

**RF INPUT POWER RATING (POWER DIVIDER SPLITTER):**

INTO MATCHED LOAD VSWR's	IN-PHASE	180° OUT-OF-PHASE
1.2 : 1	150 WATTS	150 WATTS
2.0 : 1	150 WATTS	50 WATTS
∞	150 WATTS	5 WATTS

**RF INPUT POWER RATING (POWER COMBINER):**

COHERENT SIGNALS (IN-PHASE)	2 X 75 WATTS
COHERENT SIGNALS (180° OUT-OF-PHASE)	2 X 2.5 WATTS
NON-COHERENT SIGNALS	2 X 5 WATTS
OTHER CONDITIONS - CONSULT FACTORY	



REV	DESCRIPTION	BY	DATE

TOLERANCES	
INCHES	MILLIMETERS
.00 = ±.01	.0 = ±.25
.000 = ±.004	.00 = ±.10
DRAWN: MJD	APPROVED: EMM
DATE: 6/19/12	DATE: 6/19/12

**INSTOCK**  
 wireless components  
[www.instockwireless.com](http://www.instockwireless.com)

MODEL NO.	<b>PD9026</b>
TITLE	2 WAY POWER DIVIDER COMBINER, RoHS, N-TYPE JACK, 430 - 470 MHz, 150 WATTS, 50 OHM, 0 DEGREE, IP67 WEATHERPROOF