

ELECTRICAL SPECIFICATIONS:

- 1.) FREQUENCY RANGE: 700 - 2700 MHz
- 2.) IMPEDANCE: 50 OHMS
- 3.) INSERTION LOSS (MAX): 0.8 dB (ABOVE 6.02 dB SPLIT)
- 4.) AMPLITUDE BALANCE (MAX): 0.3 dB
- 5.) PHASE BALANCE (MAX): 4 DEGREES
- 6.) ISOLATION (MIN): 22 dB
- 7.) INPUT VSWR (MAX): 1.25 : 1
- 8.) OUTPUT VSWR (MAX): 1.15 : 1

MECHANICAL SPECIFICATIONS:

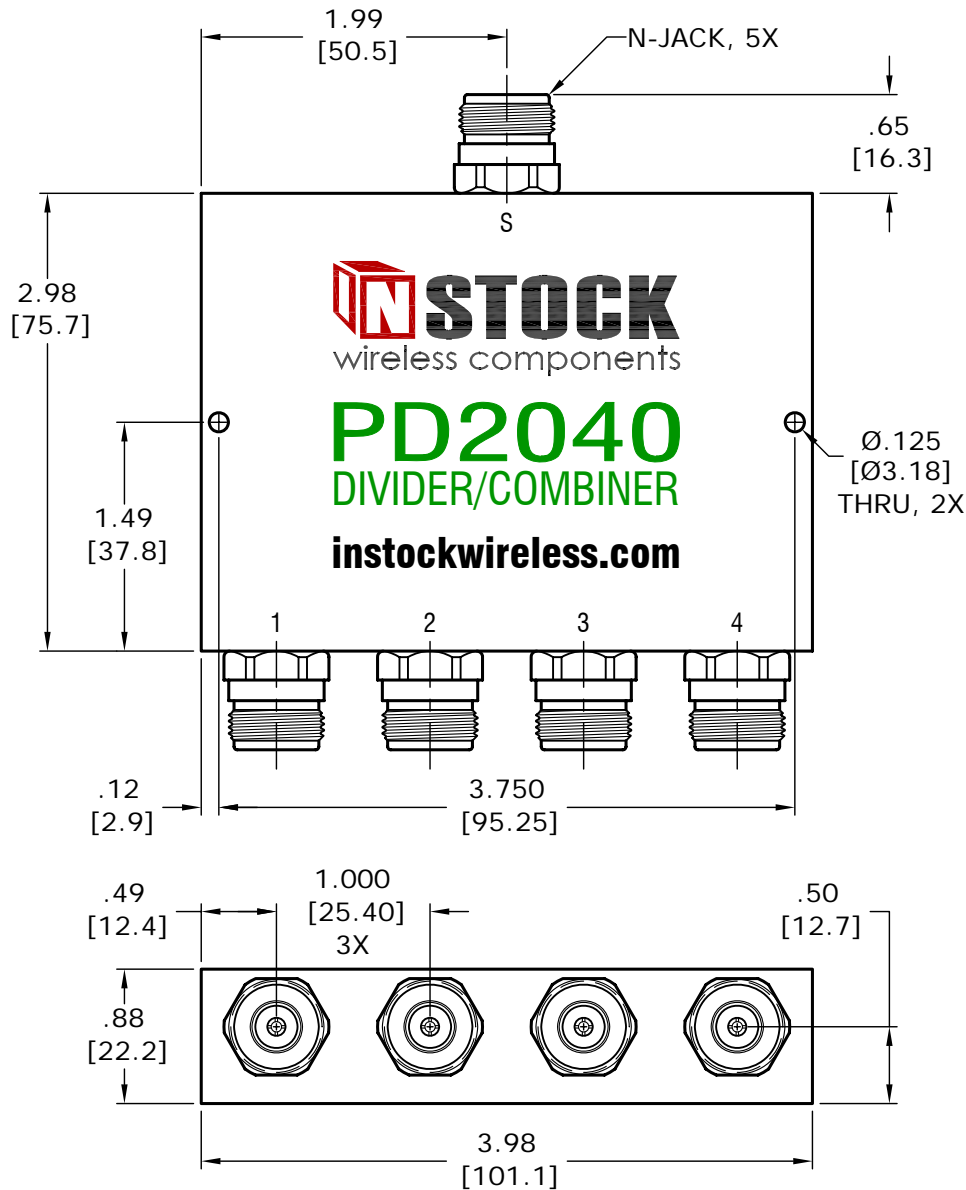
- 1.) CONNECTORS: TYPE-N FEMALE (JACK), 50 OHM
- 2.) CONNECTOR BODY: BRASS, TRI-ALLOY PLATE
- 3.) CONNECTOR PIN: PHOSPHOR BRONZE, GOLD PLATE
- 4.) INSULATOR: PTFE, VIRGIN ELECTRICAL GRADE
- 5.) HOUSING: ALUMINUM, CLEAR CHEM CONVERSION FILM, RoHS COMPLIANT (NO HEX CHROM)
- 6.) SOLDER: LEAD FREE, RoHS COMPLIANT
- 7.) OPERATING TEMP: -65°C TO +85°C
- 8.) WEIGHT: 452 GRAMS

RF INPUT POWER RATING (POWER DIVIDER SPLITTER):

INTO MATCHED LOAD VSWR's	IN-PHASE	180° OUT-OF-PHASE
1.2 : 1	40 WATTS	40 WATTS
2.0 : 1	40 WATTS	20 WATTS
∞	20 WATTS	2 WATTS

RF INPUT POWER RATING (POWER COMBINER):

COHERENT SIGNALS (IN-PHASE)	4 X 10 WATTS
COHERENT SIGNALS (180° OUT-OF-PHASE)	4 X 0.5 WATTS
NON-COHERENT SIGNALS	4 X 1 WATT
OTHER CONDITIONS - CONSULT FACTORY	



TOLERANCES	
INCHES	MILLIMETERS
.00 = ±.01	.0 = ±.25
.000 = ±.004	.00 = ±.10
DRAWN: MJD	APPROVED: EMM
DATE: 03/30/07	DATE: 03/30/07



MODEL NO.	PD2040
TITLE	4 WAY POWER DIVIDER COMBINER, N-TYPE JACK, 0.7 - 2.7 GHz, 40 WATT, 50 OHM, 0 DEGREE (IN-PHASE), RoHS

REV	DESCRIPTION	BY	DATE