

ELECTRICAL SPECIFICATIONS:

- 1.) FREQUENCY RANGE: 700 - 2700 MHz
- 2.) IMPEDANCE: 50 OHMS
- 3.) INSERTION LOSS (MAX): 1.1 dB (ABOVE 7.78 dB SPLIT)
- 4.) AMPLITUDE BALANCE (MAX): 0.3 dB
- 5.) PHASE BALANCE (MAX): 5 DEGREES
- 6.) ISOLATION (MIN): 18 dB
- 7.) INPUT VSWR (MAX): 1.40 : 1
- 8.) OUTPUT VSWR (MAX): 1.20 : 1

MECHANICAL SPECIFICATIONS:

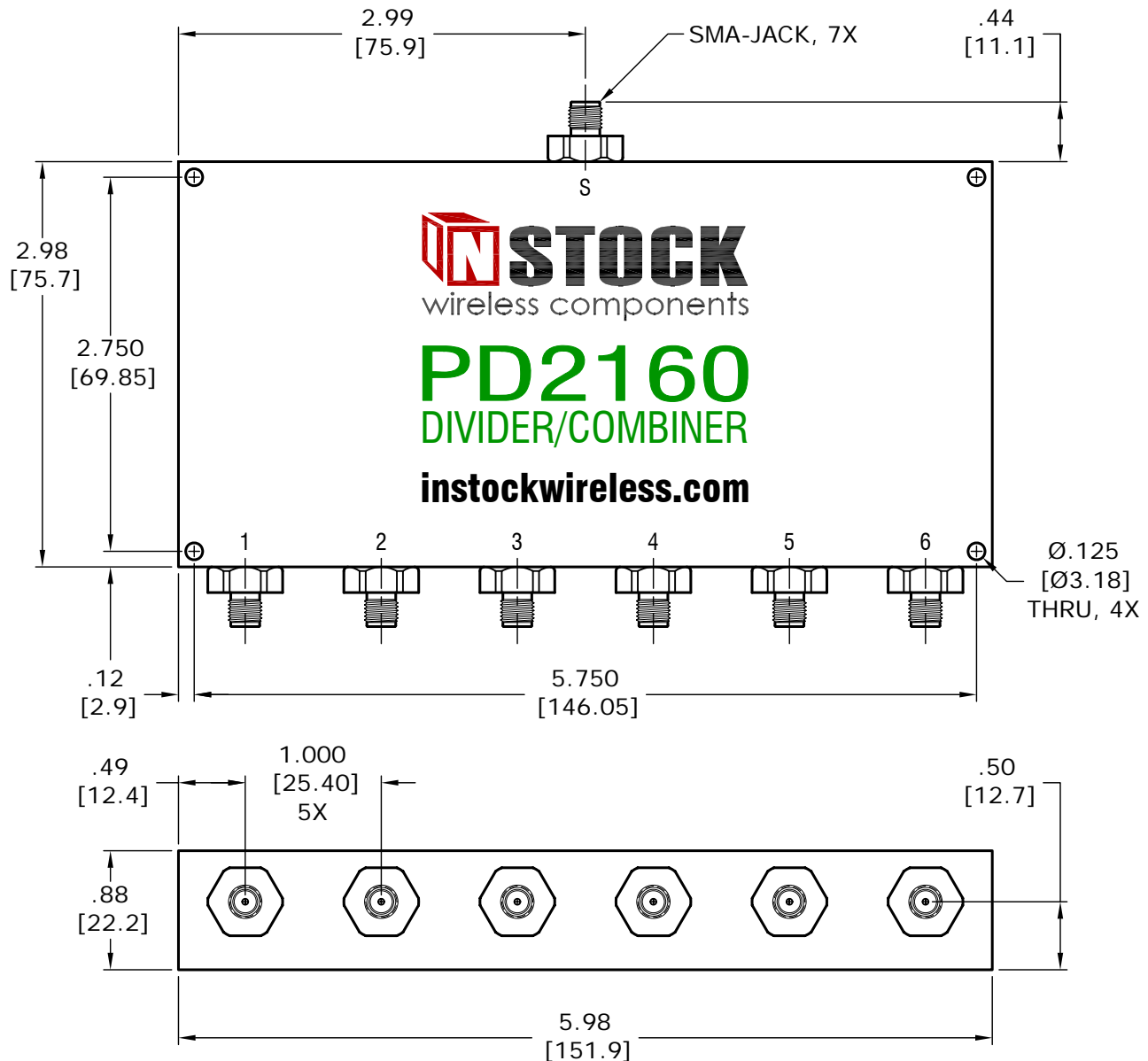
- 1.) CONNECTORS: SMA FEMALE (JACK), 50 OHM
- 2.) CONNECTOR BODY: BRASS, TRI-ALLOY PLATE
- 3.) CONNECTOR PIN: BERYLLIUM COPPER, GOLD PLATE
- 4.) INSULATOR: PTFE, VIRGIN ELECTRICAL GRADE
- 5.) HOUSING: ALUMINUM, CLEAR CHEM CONVERSION FILM, RoHS COMPLIANT (NO HEX CHROM)
- 6.) SOLDER: LEAD FREE, RoHS COMPLIANT
- 7.) OPERATING TEMP: -65°C TO +85°C
- 8.) WEIGHT: 568 GRAMS


RF INPUT POWER RATING (POWER DIVIDER SPLITTER):

INTO MATCHED LOAD VSWR's	IN-PHASE	180° OUT-OF-PHASE
1.2 : 1	40 WATTS	40 WATTS
2.0 : 1	40 WATTS	20 WATTS
∞	20 WATTS	2 WATTS

RF INPUT POWER RATING (POWER COMBINER):

COHERENT SIGNALS (IN-PHASE)	6 X 6.67 WATTS
COHERENT SIGNALS (180° OUT-OF-PHASE)	6 X 0.33 WATTS
NON-COHERENT SIGNALS	6 X 0.66 WATTS
OTHER CONDITIONS - CONSULT FACTORY	



REV	DESCRIPTION	BY	DATE	TOLERANCES		 PD2160 MODEL NO.
				INCHES	MILLIMETERS	
				.00 = ±.01 .000 = ±.004	.0 = ±.25 .00 = ±.10	
				DRAWN: MJD	APPROVED: EMM	TITLE
				DATE: 03/29/07	DATE: 03/29/07	6 WAY POWER DIVIDER COMBINER, SMA FEMALE, 0.7 - 2.7 GHz, 40 WATT, 50 OHM, 0 DEGREE (IN-PHASE), RoHS
						www.instockwireless.com